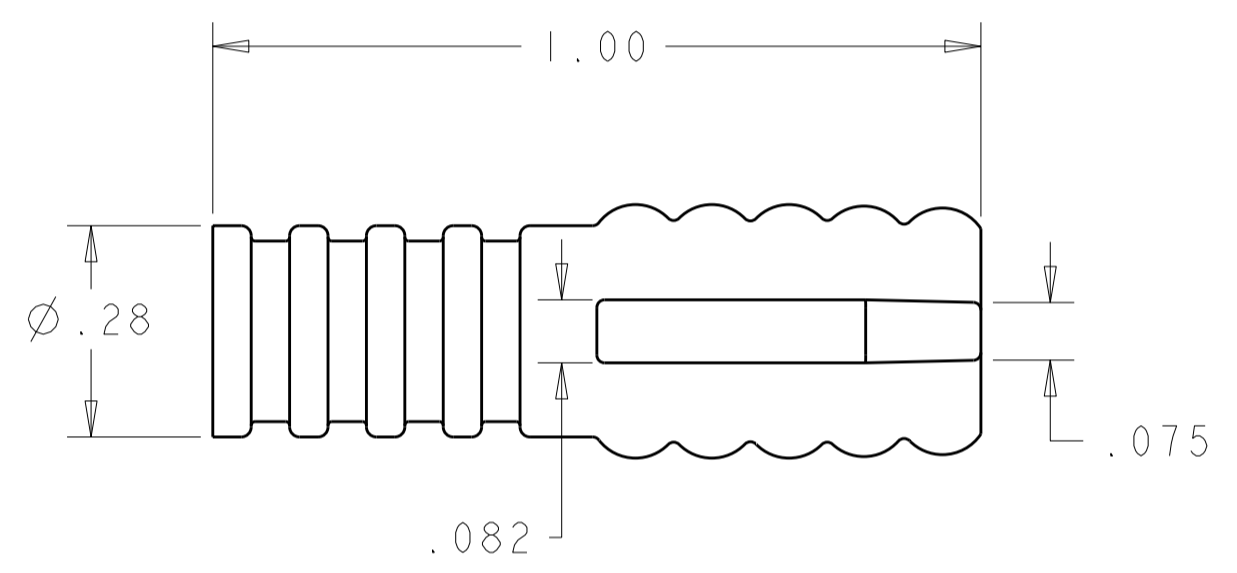
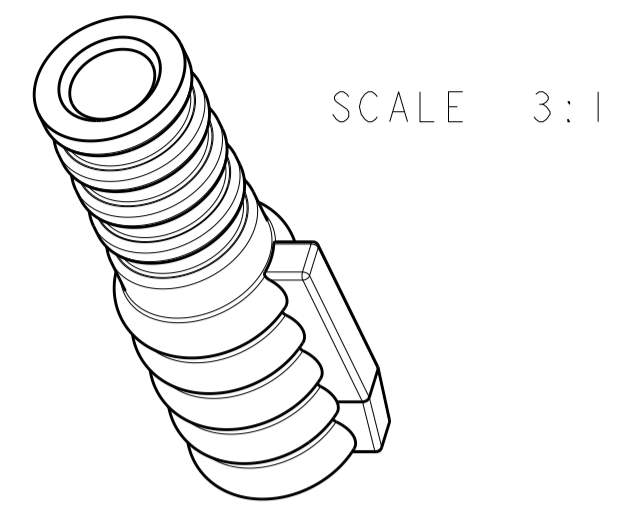


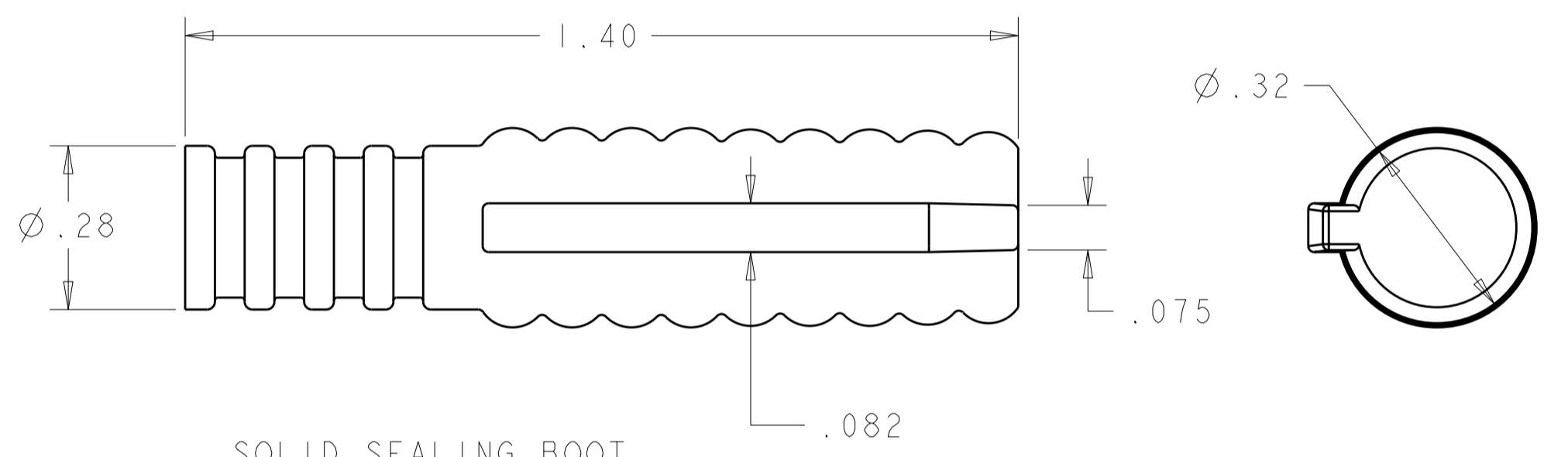
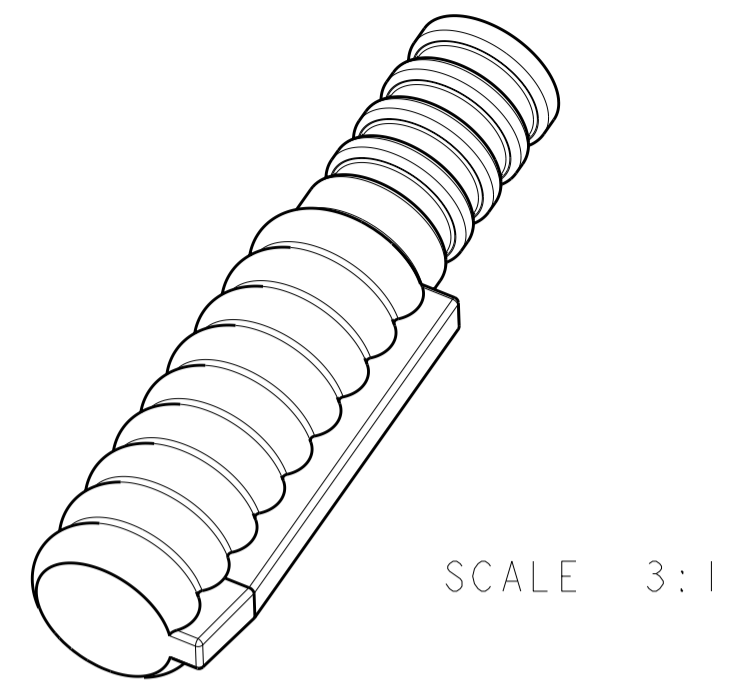
THIS DRAWING IS UNPUBLISHED. RELEASED FOR PUBLICATION 20  
 © COPYRIGHT 20 BY TYCO ELECTRONICS CORPORATION. ALL RIGHTS RESERVED.



WIRE SEAL BOOT  
 FOR QUAD CABLE  
 PACKAGED IN QUANTITY  
 AS PART NUMBERS  
 1604872-3, (QTY=10)  
 1604872-4, (QTY=100)  
 1604872-5 (QTY=1000)

- 1 MATERIAL: SELF LUBRICATING SILICONE RUBBER PER ZZ-R-765.
- 2. COLOR: RED
- 3 INSIDE DIAMETER TO SEAL OFF ON .145-.175 INCH OUTSIDE DIAMETER CABLE
- 4 PARTS PACKAGED IN POLY BAGS IN QUANTITY PER TABLE.

LOC	DIST	REVISIONS			
P	LTR	DESCRIPTION	DATE	DWN	APVD
-	-	A	REV PER ECO 10-014050	8-24-10	CT DM



SOLID SEALING BOOT  
 PACKAGED IN QUANTITY  
 AS PART NUMBERS  
 1604872-2 (QTY=1)  
 1604872-6 (QTY=10)  
 1604872-7 (QTY=100)  
 1604872-8 (QTY=1000)

4 PACKAGE QUANTITY	DESCRIPTION	PART NUMBER
1000	SOLID SEALING BOOT	1604872-8
100	SOLID SEALING BOOT	1604872-7
10	SOLID SEALING BOOT	1604872-6
1000	WIRE SEAL FOR QUAD CABLE	1604872-5
100	WIRE SEAL FOR QUAD CABLE	1604872-4
10	WIRE SEAL FOR QUAD CABLE	1604872-3
1	SOLID SEALING BOOT	1604872-2

<small>THIS DRAWING IS A CONTROLLED DOCUMENT FOR TYCO ELECTRONICS CORPORATION. IT IS SUBJECT TO CHANGE AND THE CONTROLLING ENGINEERING ORGANIZATION SHOULD BE CONTACTED FOR THE LATEST REVISION.</small>		DWN B.D. YOHN 27APR2004 CHK W. BERNHART 27APR2004 APVD W. BERNHART 27APR2004	<b>Tyco Electronics</b> Tyco Electronics Harrisburg, PA 17105-3608
DIMENSIONS: INCHES 	TOLERANCES UNLESS OTHERWISE SPECIFIED: 0 PLC ± 1 PLC ±.01 2 PLC ±.01 3 PLC ±.005 4 PLC ± ANGLES ± FINISH	PRODUCT SPEC APPLICATION SPEC WEIGHT	NAME BOOT, SEAL, WIRE, QUADRAX SIZE CAGE CODE DRAWING NO RESTRICTED TO A2 00779 C-1604872 -
MATERIAL 1 -		CUSTOMER DRAWING	SCALE 4:1 SHEET 1 OF 1 REV A